

**8" APERTURE
HIGH INTENSITY DISCHARGE
OPEN RATED METAL HALIDE/
CERAMIC METAL HALIDE
HIGH PRESSURE SODIUM
50-70-100-150 WATT**

Catalog Number

- | | |
|------------------------------------|-----------------------------------|
| <input type="checkbox"/> POMH-8150 | <input type="checkbox"/> PHP-8150 |
| <input type="checkbox"/> POMH-8100 | <input type="checkbox"/> PHP-8100 |
| <input type="checkbox"/> POMH-8070 | <input type="checkbox"/> PHP-8070 |
| <input type="checkbox"/> POMH-8050 | <input type="checkbox"/> PHP-8050 |

REFLECTOR

1. This Alzak® treated reflector is available in clear, white and gold as standard. Produced of .064 aluminum eliminates reflector deflection. The precise spinning produces a one piece reflector and trim ring. The parabolic design is polished to maximize the reflectance. The trunion mount allows the reflector to be secured snug to the ceiling without the possibility of slipping.

TRIM RING

2. Trims are standard with trim ring matching the reflector color. White and black are options for ring finish. The trim ring has a small return which makes the trim ring appear to flow into the ceiling material.

SOCKET HOUSING

3. The extruded aluminum housing allows maximum cooling by utilizing specifically engineered cooling fins. The aluminum lid is designed to accept the rigors of the pulse rated socket.

HOUSING MOUNTING FRAME

4. A one piece 16 Ga. galvanized steel mounting frame allows for rigid support of the complete fixture without sagging. The frame is designed with a 1/2" collar which extends from the bottom to accommodate ceiling materials while finishing flush with the ceiling. There is an additional 1 1/2" inches of adjustment for abnormal ceiling thickness.

MOUNTING BRACKETS

5. Two side universal mounting brackets are provided. The universal mounting bracket is engineered to be used with the 2 - 1 piece 3/16" stamped mounting bars which are also included as standard or may be used with "C" channel (channel by others).

JUNCTION BOX

6. Tested and listed for eight # 12 AWG (4 in & 4 out) 90°C conductors, feed through branch wiring, 1/2" and 3/4" pry outs and a galvanized finish. Positioned to allow straight conduit runs. Access to the junction box in an inaccessible ceiling is accomplished through the reflector opening.

BALLAST

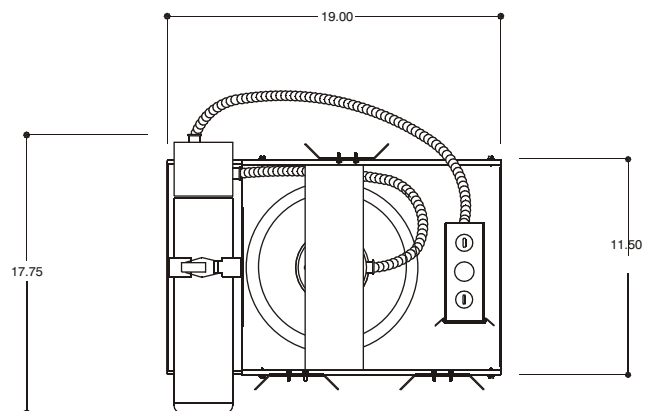
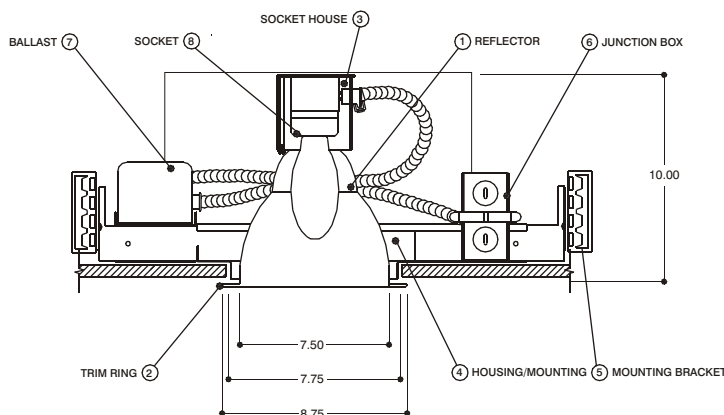
7. Ballast are thermally protected and potted for maximum protection and sound deadening quality. Ballast are magnetic with dual taps for 120 or 277V wiring. Our F-can style ballast are suitable to operate Pulse Start lamps up to 150W. For premium super efficient Pulse Start operation, consult factory. Electronic ballast are offered as an option, which allows enhanced color uniformity, end of life shutdown to prevent cycling or flashing, energy savings and noiseless operation.

SOCKET

8. The socket is made from porcelain with a nickel plated screw shell. The standard is a medium base open rated 4KV pulse rated device. The socket is positively attached to socket housing using screws in lieu of springs.

LABELS

All fixtures are tested to the appropriate UL Standards by Electrical Testing Laboratory and conform to CSA C22.2#250.0-00. The labels are affixed to the fixture indicating the test number and the standards used.



Dimensions and specifications in this catalog are based on the most current available data and are subject to change.