

Type	Job. Ref.
------	-----------



C4LRUD

4" LED Up & Down
Wall Mount Cylinder

2000 Lumens (each direction)

PRODUCT SPECIFICATION DATA

MECHANICAL

All aluminum construction
Durable powder coat finish
Wall bracket mounts to 3 1/2" J-Box or directly to the wall using appropriate anchor bolts or screws (supplied by others)

ELECTRICAL

Driver on board, AC direct module
Dims to 5%. Works with most Triac dimmers.
120v only

OPTICAL

Faceted reflectors with clear lenses
Medium distribution

PERFORMANCE

Delivered lumens 2109 up and down, 4218 total.
CCT: 3000K; @ 90+ CRI
70% lumen maintenance at 60,000 hours based on IESNA LM-79-2008.

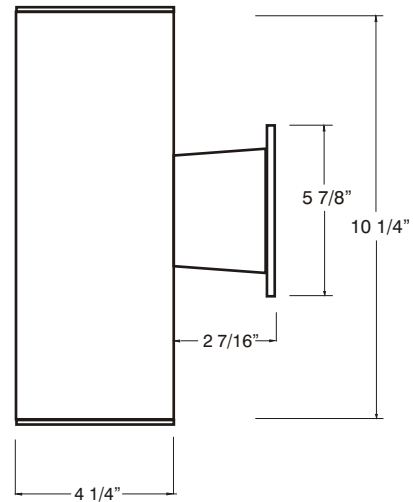
LISTINGS

ANSI/UL1598 and CAN/CSA C22.2 No. 250.0-08
Suitable for wet location
IP65 rated.

5 Year / 50,000 hr. LED module warranty.



LED



Dimensions and specifications in this literature are subject to change.

	DELIVERED LUMENS @ 30K	POWDER COAT FINISH
C4LRUD	-20	
4" LED Round Up & Down Cylinder	-20 2109 lumens <i>4218 lm Total</i>	-WH Matte White -BK Matte Black -AN Natural -BZ Bronze -RAL # _____



© 2017 Peachtree Lighting LLC

770-787-8490 • www.peachtreelighting.com

C4LRUD



C4LRUD

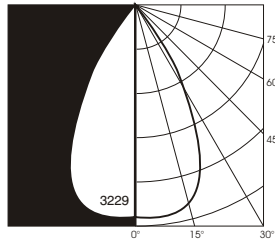
4" LED Up & Down
Wall Mount Cylinder

C4LRUD-20

Source: AC Module
Color Temp: 3000K
Lumens Up or Down: 2109
Total Fixture Lumens: 4218
S/MH: 1.0

Input Current
Voltage: Watts: Amps:
120 60 .50

CANDLEPOWER
DISTRIBUTION CURVE



CONE OF LIGHT

