



Light

Wall Mounted Sconce



H U N T I N G T O N C R E E K S E R I E S

04SGB



02FA



03SGG



05FP



01SGR

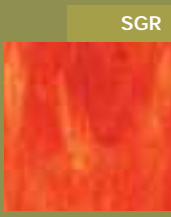


08WA



07CBG





Stain Glass Red



Stain Glass Blue



Stain Glass Green



Stain Glass Peach



Fiberglass Blue



Fiberglass Jade

H U N T I N G T O N C R E E K S E R I E S

10
This series is available in ten unique styles:



1 CUBE FRAME



4 CUBE FRAME



9 CUBE FRAME



16 CUBE FRAME



25 CUBE FRAME



ART FRAME



100 HOLE FRAME



ANGLE SLASH FRAME



SOLID FACE FRAME



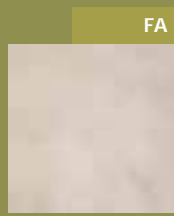
CUSTOM FACE FRAME



Fiberglass
Parchment



Fiberglass Coco
Reed



Faux Alabaster



Green Leaves



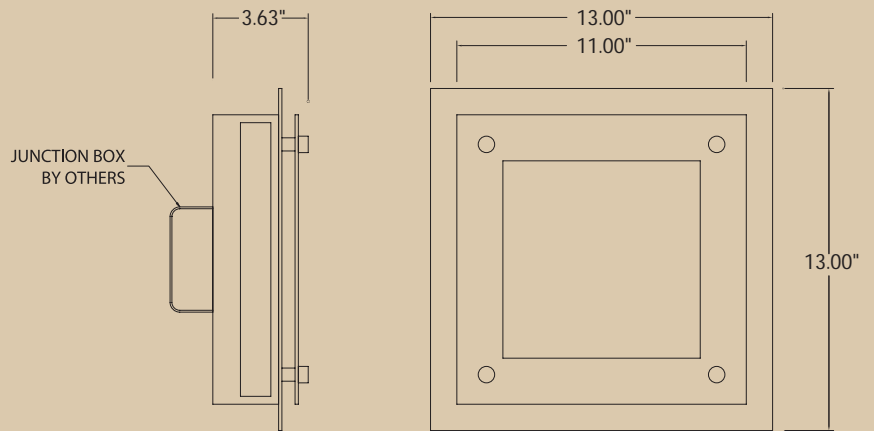
Cobalt Blue Glass



White Acrylic

SPECIFICATIONS

- » Formed solid aluminum housing & faceplate
- » Mounts to a standard 4" octagonal junction box
- » Meets the requirements of the Americans with Disabilities Act
- » Tested and listed to UL and CSA standards
- » Polyester Powder Coat Finishes
- » Hardware die cast aluminum; brushed bronze finish is standard
- » For outdoor use see WL option
- » Electronic ballast standard for fluorescent offerings



LIGHTING PATTERN

- K Up/Down
- S Left/Right Sides Only
- X 4 Sides
- N None

The Peachtree Lighting Huntington Creek collection is ideally suited to highlight today's vibrant dramatic interiors in imaginative new ways. You have an opportunity to design your own preeminent signature piece for your project. These are designed for ADA compliant application.

This unique collection of materials, textures, finishes, and diffuser colors are then mated with the very latest energy efficient lamp technologies to make a strong visual statement. Your fixture is custom built to your specifications, achieving the visual impact you desire while meeting today's stricter energy codes and illuminating standards.

HOW TO SPECIFY

EXAMPLE:

PHCS – **01** – **13** – **B** – **BA** – **K** – **SGR**

Series Style Lamp Light Box Finish Face Plate Finish Lighting Pattern Color Insert Lens

SERIES

- PHCS Peachtree Huntington Creek Series

STYLE

- 01 1 Cube Frame
- 02 4 Cube Frame
- 03 9 Cube Frame
- 04 16 Cube Frame
- 05 25 Cube Frame
- 06 Art Frame
- 07 100 Hole Frame
- 08 Angle Slash Frame
- 09 Solid Face Frame
- 10 Custom Face Frame

LAMP

- 13 2/13 DTT
- 18 2/18 DTT
- 26 2/26 DTT
- I T 10 Incan
- L 4 LEDs

LIGHT BOX FINISH

- B Black Powder Coat
- W White Powder Coat
- G Verdi Green
- N Natural Brushed Alum
- E Earth Tone
- S Custom Color _____

FACE PLATE FINISH

- BA Brushed Alum Clear Coat
- BK Black
- W White
- G Verdi Green
- E Earth Tone
- SA Swirl Aluminum
- S Custom Color _____

LIGHTING PATTERN

- K Up/Down
- S Right/Left sides only
- X 4 Sides
- N None

COLOR INSERT LENS

- SGR Stain Glass Red
- SGB Stain Glass Blue
- SGG Stain Glass Green
- SGP Stain Glass Peach
- FB Fiberglass Blue
- FJ Fiberglass Jade
- FP Fiberglass Parchment
- FCR Fiberglass Coco Reed
- FA Faux Alabaster
- GL Green Leaves
- CBG Cobalt Blue Glass
- SEL Special Etched Logo
- NL No Lens Opening
- WA White Acrylic

OPTIONS

- MRI Non Ferrous Metal (1 lamp – Incandescent only)
- F Fuse
- EMR Remote Emergency by others
- HMF Hardware to match Face Plate Finish
- PPL Clear Protective Polycarbonate Lens
- WL Wet Location, Gasketed w/ inner lens
- 347 Volt (consult factory)