



# -AYK \_\_\_\_\_” Yoke Mount for Cylinders

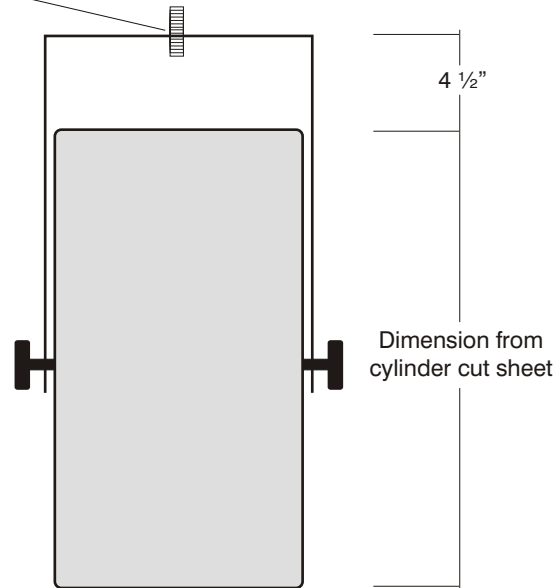
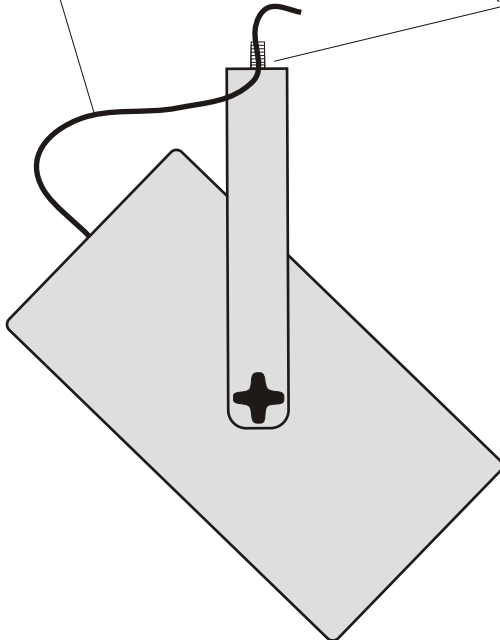
Customer must specify Cord Length

Customer responsible  
for all mounting  
beyond the yoke.



Cord length must be specified.  
3 wire standard. 5 wire for dimming

3/4” Center Mounting  
Hole in Yoke (no nipple supplied)



## WARNING -RISK OF FIRE / ELECTRICAL SHOCK

Fixture must be installed by a qualified electrician in accordance with the National Electrical Code and applicable local codes and ordinances. Prior to installation, ensure that electrical power has been turned off at the fuse or circuit breaker panel. The junction box should be properly secured to support the mounted cylinder components. To prevent damage to the cylinder finish, do not remove the protective wrapping until the cylinder is ready for mounting.



© 2015 Peachtree Lighting LLC

770-787-8490 • [www.peachtreelighting.com](http://www.peachtreelighting.com)

-AYK