

Installs as easy as 1 - 2 - 3!

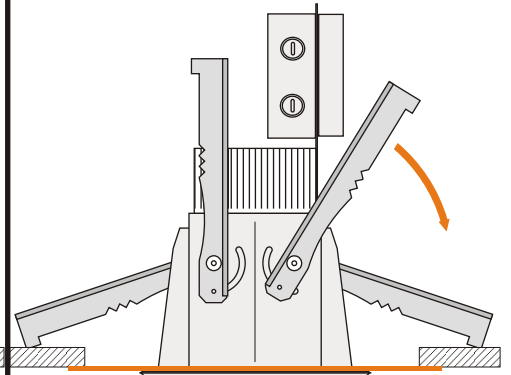
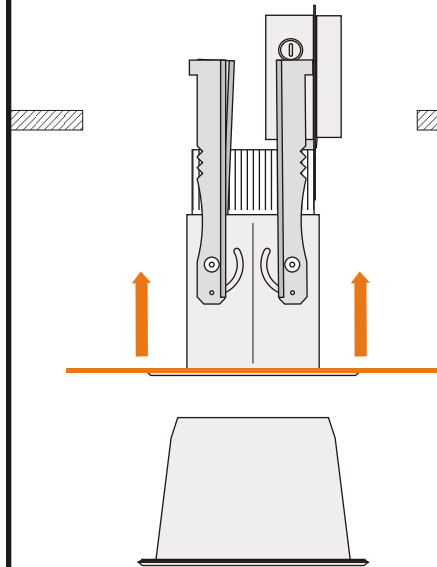
The Quick-Set family of recessed downlights is engineered to ensure simple, reliable upgrading of traditional source downlights to modern LED sources.

STEP 1:

Detach power from old fixture and remove it or push it to the side. (In some cases, the existing pan can be left in place). Drop power through the opening.

STEP 2:

Attach power to new fixture, raise it into the ceiling opening and center adapter ring.



STEP 3:

Hold fixture and adapter ring flush to ceiling. Lower retaining arms into place and secure tightly with wing nuts. Install Reflector.

Detailed instruction sheets for the R6B, R8B and R8H are available on PeachtreeLighting.com.

Trial Installations

Every lighting renovation project is different. We want to make sure your project goes smoothly and your customers are pleased with the product and process. To ensure your success, we offer a trial installation program from the Quick-Set Remodel products. To request a sample for trial installation, contact sales@peachtreelighting.com.